

## Maximize Efficiency Improve Productivity



### Sleek Ergonomic Design

The large 15.6" touchscreen display – or the optional 12.1" display – has an adjustable vertical tilt angle of up to 30°, ensuring ergonomic use on higher service counters. The sleek, low profile design enables better customer interactions.



### Durable Housing

FreshWay C's impact-resistant aluminum housing enables years of worry-free use. With a non-stick surface that repels dirt, adjustable support feet, and minimal gaps and edges, the FreshWay C design is focused on hygiene and long-term functionality.



### Versatile Printing

The FreshWay C provides a variety of printing options to suit your retail counter needs, including a 3" label printer, a 3" linerless printer, and dual printing capability. This flexibility enables the FreshWay C to adapt to changing printing needs.



### Intuitive Software

The user interface of the FreshWay C offers simplified operation with its familiar FreshPro GUI that is user-friendly for both new employees and experienced operators. Less training time means lower costs and more time for high-quality customer service.



### FreshWay C

The PC-based FreshWay C is a fresh, future-proof way for food retailers to meet the needs of today's most demanding weighing environments. A custom-designed array of weighing features assures high performance for a multitude of applications – at grocery service counters and beyond.

The FreshWay C counter scale features a compact design to improve customer interactions over higher counters and a large touchscreen display that makes operation easy and convenient. The adjustable angle of the display ensures increased accuracy and optimal legibility for operators.

# Technical Data

## FreshWay C

### Operator Touchscreen Display

- 15.6" (39.6 cm) capacitive touchscreen with a bright, high-contrast TFT LED backlit display
  - Screen resolution: 1366 x 768 pixels
- Continuous tilt angle adjustments (stepless)
- Optional 12.1" (30.7 cm) display available
  - Screen resolution: 1024 x 768 pixels

### Printing

- Printing width: 3.1" (80 mm)
- Paper width: 2.2 – 3.2" (56 – 82.5 mm)
- Printing speed: up to 5.9"/sec (150 mm/sec)
- Print resolution: 8 dots/mm
- Separate paper feed button

Printer Options Include:

- 3-inch (76.2 mm) linerless printer
  - Roll diameter: 4.7" (120 mm)
  - Automatic paper cutter
  - Optional 7" (177.8 mm) widescreen customer display
- 3-inch (76.2 mm) label printer
  - Optional 7" (177.8 mm) widescreen customer display
- Dual printer capability

### Processor

- Intel® Dual Core N3010 1.06 GHz processor (2.24 GHz in turbo mode)

### Memory/Data Storage

- 4 GB DDR3 RAM
- 64 GB Flash Memory

### Operating System

- Linux openSUSE Leap 15 64-bit
- Microsoft Windows® 10 IoT Enterprise 64-bit

### Scale Software

- FreshPro application

### Power Supply

- 100 – 240 V AC, 50 / 60 Hz

### Average Power Consumption

- During operation: ca. 26 W

### Interfaces and Protocols

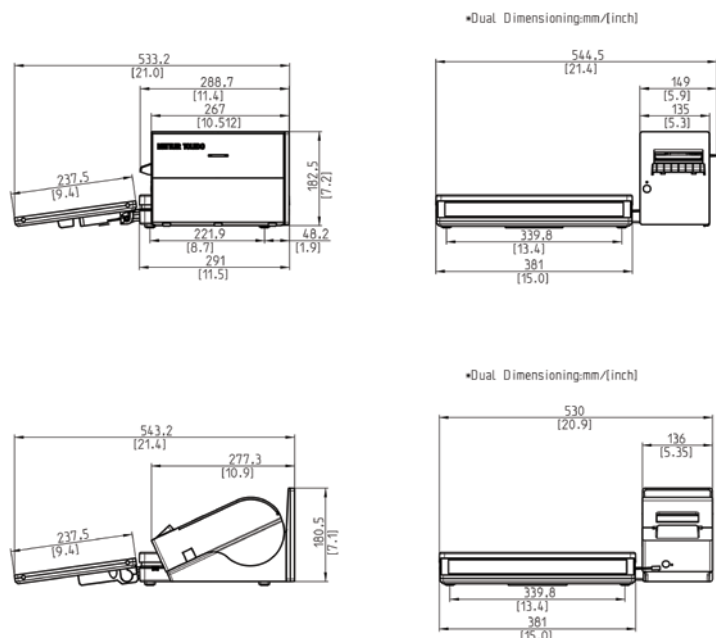
- Gigabit Ethernet interface (10/100/1000)
- 1 x RJ11 interface for controlling the cash register drawer
- 2 x USB 2.0 ports
- 2 x USB 3.0 ports
- Integrated wireless solution for wireless data transmission in accordance with standard IEEE 802.11 ac/a/b/g/n (2T2R), with 2 x 2 MIMO

### Housing

- Impact-resistant housing made of die-cast aluminum
- Seamless cover resistant to spills
- Color: Black

Weighing range	15 lb / 30 lb (6.8 kg / 13.7 kg)
Graduation	0.005 lb / 0.001 lb (0.002 kg / 0.0005 kg)
Minimum load	0.1 lb (0.05 kg)

Intel is a registered trademark of Intel Corporation in the U.S. and/or other countries. Microsoft® and Windows® are registered trademarks of Microsoft Corporation in the United States and/or other countries.



### METTLER TOLEDO Group

Retail Division  
Local contact: [www.mt.com/contacts](http://www.mt.com/contacts)

Subject to technical changes  
©07/2021 METTLER TOLEDO. All rights reserved  
Document No. 30536836 A  
MarCom Industrial

[www.mt.com](http://www.mt.com)

For more information

