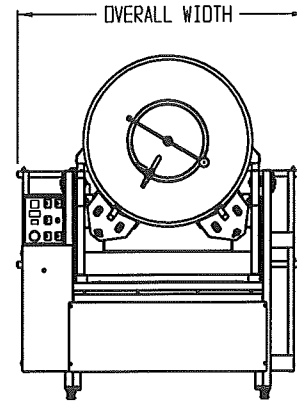
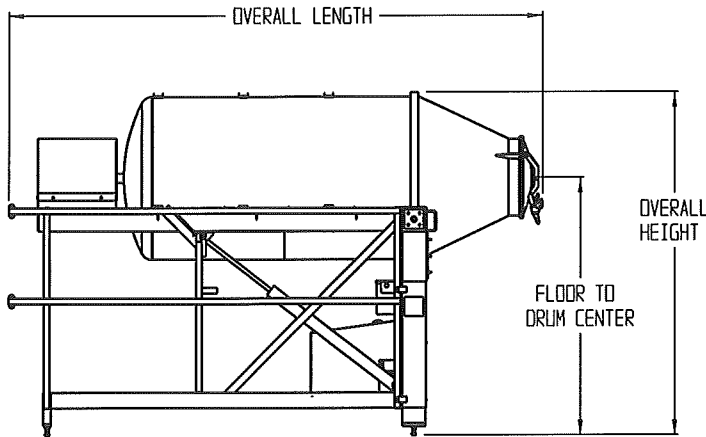


# **DANIELS FOOD EQUIPMENT**

## **DVTS 2000 AND 3000 TUMBLER**



DVTS MODEL	2000	3000
OVERALL HEIGHT	79-5/8"	89-1/4"
OVERALL WIDTH	76-1/16"	76-1/16"
OVERALL LENGTH	129-23/32"	140-3/64"
FLOOR TO DRUM CENTER	60-5/8"	66-7/32"
IDEAL TUMBLING CAPACITY	2,000 LBS	3,000 LBS
MAXIMUM CAPACITY	2,600 LBS	3,500 LBS

### **SPECIFICATIONS**

**STANDARD MOTOR:** 5HP, 208/230/460 VOLT, 13.7/12.6/6.3 AMPS, 60 HZ, 3-PHASE

**TUMBLER DRIVE:** HYDRAULIC DRIVE

**VACUUM PUMP:** 1-1/2 HP, 208/230/460 VOLT, 3-PHASE, 5.4/5/2.5 AMPS, CAPACITY 5 CUBIC FEET PER MIN @ 20" HG

**TUMBLER CONTROLS:** VARIABLE SPEED CONTROL, 16 RPM MAX, FORWARD AND REVERSE, TUMBLER LIFT AND LOWER, TACHMETER, HOUR METER, VACUUM GAUGE, TIMER: MINUTES AND HOURS UP TO 99 HOURS

**OPTIONAL MOTORS:** 208 VOLT, 60 HZ, 3-PHASE, 15.5 AMP  
380 VOLT, 50 HZ, 3-PHASE, 10.1 AMP  
460 VOLT, 60 HZ, 3-PHASE, 7.2 AMP

**DANIELS FOOD EQUIPMENT**  
310 NORTH CLAYBORN AVE P.O. BOX 341, PARKERS PRAIRIE, MN. 56361  
PHONE: (218) 338-5000 FAX (218) 338-5909.

WEB: [www.danielsfood.com](http://www.danielsfood.com) E-MAIL: [edaniels@danielsfood.com](mailto:edaniels@danielsfood.com)