

Hollymatic DEFENDER 16-4000

**REDUCE THE RISK OF INJURY
IN THE BLINK OF AN EYE**

*The Hollymatic Defender 16-4000 is a
Meat Processing Band Saw Equipped with
Visual Detection and Stopping Devices.*



HollyMATIC





Designed with patented state of the art and innovative technology, the Defender provides features and benefits not available on other meat saws.

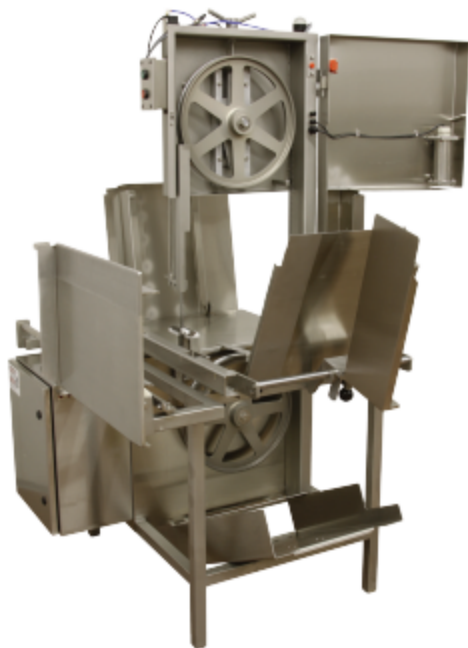
The Exclusive Visual Glove Detection System utilizes a camera to detect special colored gloves worn by the operator. Upon detection in a predetermined zone the system activates a processing and braking mechanism to stop the blade in less than .04 seconds, thus greatly reducing unintended or inadvertent contact with the blade.

It is important to note that the braking mechanism does not damage the blade or the saw. After a short cool down period the saw can be restarted and put back into operation. **NO BLADE CHANGES ARE NECESSARY.**

The Defender controller has a built in user interface which gives a total read out of the machine status, including run times, stop counts, diagnostics, maintenance schedules and more. The user interface allows management to monitor the frequency of emergency stops and help determine correct employee operation.



Fully Closed



Swing open hinged table and door design provides superior cleanability. All components stay attached to the saw which minimize the loss and damage of parts.



Coded safety interlocking sensors. Braking system immediately engages when either the upper wheel door or lower wheel door are opened.



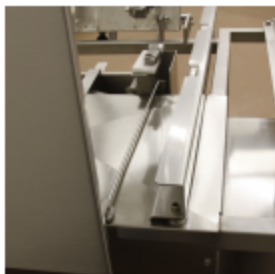
Visual Glove detection system (patent pending). Featuring the fastest camera on the market today, with over 2000 frames per second, and a total detection and processing system and output time of under 9 milliseconds.



Frame clean-out flushing port. Stainless steel construction, with built in flushing ports, for ease of cleaning.



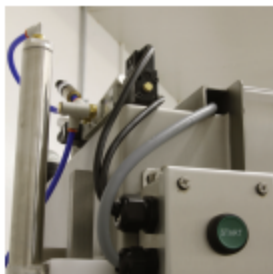
V-groove roller bearing, moveable table. Smooth and solid table roller design maintains positive product tracking with stainless steel roller bearings.



Water Spray pre-attached blade cleaning system. Provides continuous and efficient blade cleaning.



LED 3-color Indicator light. Alerts operators and personnel of the saw's ready and run status.



Pneumatic Auto Blade Guard. When the saw is stopped the blade guard automatically lowers reducing the risk of inadvertent contact with a stationary blade.



Custom Controller. Built-in system/user interface provides up-to-the-minute machine status, history, and diagnostics.



Wrought billet material for strength, upper and lower wheels.



IP69 Electrical Enclosures. Ensures the electronics are kept dry and debris free with Tri Locking doors.



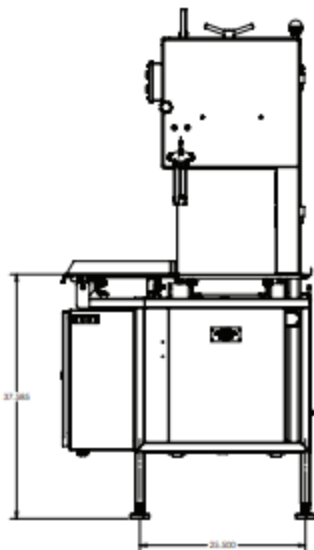
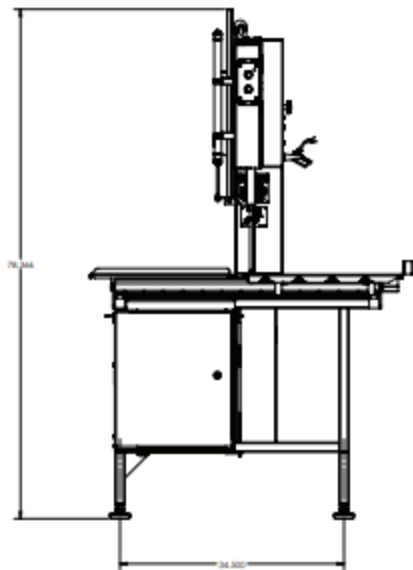
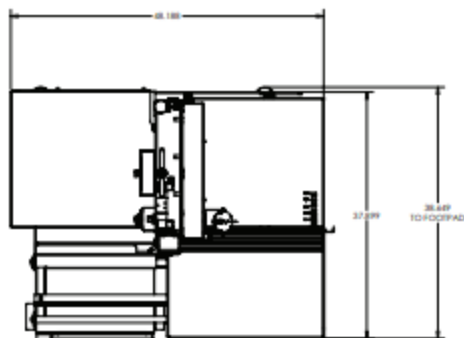
Color detection Gloves. Special cotton or rubber gloves worn by the operator are verified before every start up to ensure proper P.P.E. is being worn.



No maintenance direct drive train, zero backlash. A proprietary direct driven gearbox, with no maintenance.

OPTIONS

- ▶ Precision adjustable meat gauge
- ▶ Water spray blade cleaning
- ▶ Left hand or stationary table



SPECIFICATIONS

MATERIAL: Stainless Steel Frame and All Food Contact Parts.

MOTOR/ELECTRICAL: 7.5 KW, 460-480 VAC 3-phase only, 3 running amps, needs 30 amp service.

DYNAMIC BRAKE [STANDARD]: Brings Blade To Halt In .05 Seconds Or Better.

SAFETY INTERLOCKS: On Top Door And The Scrap Pan. Machine Stops If These Are Not Closed.

DRIVE: Direct.

SAW BLADE: .022" Thick (Max) x 3/4" Wide x 126" Long.

BLADE TENSION CONTROL: Top Wheel Adjustment Easily Set To Calibrated Indicator For Even Blade Tension.

BLADE GUIDES & SCRAPERS: Tungsten Carbide Blade Guide Backups. Wheel & Blade Scrapers Easily Removable Without Tools.

CUTTING CLEARANCE: 16" High x 15" Wide.

BLADE WHEELS: Removable For Cleaning.

STATIONARY CUTTING TABLE: (2-piece design) 38" Wide x 21" Deep. Heavy Gauge Stainless Steel (Swing Up For Easy Blade Change And Cleaning).

MOVABLE CLEANING TABLE: 24" Wide x 17" Deep. Heavy Gauge Stainless Steel. Swings Out For Cleaning With (2) Stainless Steel Rollers & Bearings.

FRAME: Tubular Stainless Steel. Constructed For Ease Of Cleaning.

OVERALL DIMENSIONS: 74" H x 45" W x 37-3/4" D.

WEIGHT: 475 lbs. Uncrated.



DISCLAIMER: The Hollymatic Defender 16-4000 is a meat processing band saw equipped with visual, electronic detection, and stopping devices.

These features are intended to reduce the risk of injury from unintended and inadvertent contact with the saw blade. They should not be considered a method of stopping the machine, or a substitute for proper training and experience by the operator. Only personnel who have carefully reviewed the manual and received thorough training from qualified persons should be allowed to operate this equipment.