

# HOLLYMATIC HI•YIELD 16-5000

---

## A NEW GENERATION OF MEAT SAW

---



## EXCLUSIVE FEATURES FOR SAFETY AND EASE OF OPERATION

The Hollymatic Hi•Yield 16-5000 has features that separate it from other conventional saws.

- Swing open construction allows for easy cleaning and blade changing.
- Quick stop brake stops blade within one (1) second.
- Maintenance free braking.
- Double flanged wheels for blade retention and tracking.
- 3-speed operation for flexibility, ease of operation and higher yields with different products.
- Unique design provides a soft start feature and automatically maintains optimum energy efficiency.
- Safety interlocked doors.

For more information contact Hollymatic or your local authorized Hollymatic Dealer today!



# STANDARD FEATURES FOR SAFETY AND EASE OF OPERATION

- Removable upper and lower wheels are designed with blade retaining double flanges for safety. Stainless Steel (optional).
- Fully adjustable side mounted blade guard allows visibility while cutting.
- Exclusive, two-piece swing open stationary table for easy blade change and clean-up.
- Blade brake stops within one (1) second.
- Exclusive slide bar movable table with lock swings open for easy cleaning.
- Powerful 3 H.P. motor coupled with double V-belt drive.
- External grease zerk to lubricate lower wheel.
- All legs are adjustable to conform to floor irregularity.

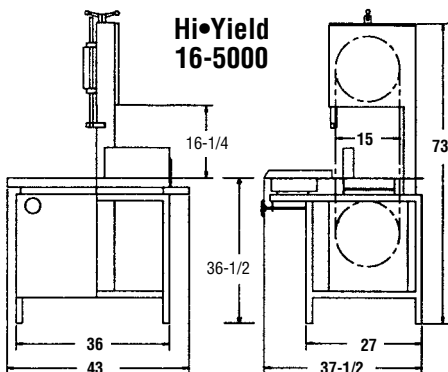


- Convenient to use handle adjustment with visual indicator makes setting blade tension easy.
- Safety interlocked door.
- Hinged and removable door for changing blades, easy clean-up and maintenance.
- Exclusive heavy-duty tubular column provides one-piece rigid support.
- Easiest saw on the market to clean up, without complete disassembly.
- Safety interlocked lower wheel enclosure doubles as a removable light-weight scrap container for easy cleaning.



3-speed selector switch for flexibility

## Specifications



- MOTOR:** 3 H.P. 200-240 Volt, 50/60 Hz., 3 Phase Drip Proof (Soft Start)
- SPEED:** 3-Speed Selector Switch 3240, 3885, 5000 BFM
- BLADE BRAKE:** Blade Stops Within 1 Second.
- BLADE:** High Quality Hardened Steel Blade. 5/8" x 126" (Included)
- BLADE SCRAPER/WHEEL CLEANER:** Complete Assemblies, Are Removable Without The Use Of Tools
- WHEELS:** Cast Iron Impreglon Coated, Removable.
- BLADE GUIDES:** Carbide Steel
- DRIVE:** Double V-Belt Pulley, Grease Packed Ball Bearings, Waterproof Housing
- SWITCH:** Pull-Push, Waterproof Enclosure.
- SAFETY INTERLOCK:** Power Automatically Shuts Off When Upper or Lower Doors Are Opened.
- CUTTING CLEARANCE:** 16" High x 15-1/2" Wide
- CUTTING TABLE:** Two Piece Swing Open Back Table 38" Wide x 21" Deep
- MOVABLE TABLE:** 22" Wide x 16" Deep With Stainless Steel Ball Bearings
- MOTOR OPTIONS:**
  - 3 H.P. 460 Volt, 60 Hz., 3 Phase
  - 3 H.P. 575 Volt, 60 Hz., 3 Phase
  - 3 H.P. 380 Volt, 50 Hz., 3 Phase
  - 3 H.P. 200-240 Volt, 50/60 Hz., 1 Phase

- OPTIONS:**
- Stainless Steel Wheels
  - Portion Control Meat Gauge

**HOLLYMATIC WARRANTY**  
Six (6) months from date of purchase. Refer to warranty certificate for terms and conditions

**Hollymatic Corporation,**  
600 E. Plainfield Road, Countryside, Illinois 60525  
708/579-3700 Fax: 708/579-1057  
Web Site: [www.hollymatic.com](http://www.hollymatic.com)  
E-mail: [hollyinfo@hollymatic.com](mailto:hollyinfo@hollymatic.com)  
[www.hiyield16.info](http://www.hiyield16.info)

