

Sales Flexibility

Boosting Efficiency in the Fresh Zone



More convenience

Interactive and easy to operate: the bright 10.4-inch touchscreen improves weighing convenience and speed at the service counter. Staff productivity can be enhanced and training time reduced through easy access to thousands of preset PLUs, along with direct entry of PLUs for fast retrieval.



Ideal for self-service

The Impact M touchscreen scale is suitable for use both at the service counter and as a self-service scale. Its easy-to-understand graphical user interface with touchscreen operability ensures that your customers will soon become captivated with the self-service concept.



Enhanced shopping experience

Make use of the scale's large screen to communicate product and brand-related advertising as well as special offers directly at the POS. Scrolling text, graphics or images on the customer display will engage shoppers and boost your sales.



Better service

Impact M is compatible with large, six-inch label rolls, thus minimizing interruptions to the sales process and improving the service level in your fresh food departments. The large operator and customer displays can share more product information at the counter which helps build customer confidence and loyalty.



Impact M

Flexible Touchscreen Scale for the Service Counter and Self-service Use

Thanks to its flexible and intuitive operating concept, the ergonomic Impact M touchscreen scale is equally suitable for use in the self-service department and at the fresh food counter. In service mode, sales staff benefit from smooth PLU input on the 10.4-inch touch display and directly accessible shortcut keys speed up sales operations at the service counter. Whether in self-service mode or classic employee-operated mode, the Impact M's menu is intuitively easy to navigate. Add to this its impressive cost-effectiveness and the Impact M touchscreen scale offers retailers the ideal springboard to contemporary, customer-friendly self-service concepts.

- **Flexible use** – equally suitable for self-service departments and service counters
- **Ergonomic touchscreen** – easy to operate for faster service
- **Clearly legible customer display** – perfect for visual merchandising
- **High profitability** – robust, durable, low purchase and maintenance costs



Impact M
in self-service mode

Fully-featured, value priced

Building on the METTLER TOLEDO commitment to outstanding and long-lasting value, the Impact line is packed with features that make a difference. From the multi-interval load cell and state-of-the-art user interface, to the large label roll and high-resolution label graphics, the Impact scales are designed to deliver unprecedented value.

Technical data

Impact M

Mode

Operator mode
Self-service mode

Touchscreen

Operator display 10.4 inch (26.4 cm) color VGA screen
4 wire resistive screen
Customer display Monochrome 320 x 240 LCD
Adjustable tilt angle

Printer options

1.6 to 3" width (76 mm paper, 80 mm path)
Printing speed: up to 5 inches/second
Print resolution: 200 dpi
Logo printing on label monochrome bitmap up to 8k
Printing of upper and lower case characters
Freely definable labels
6 inch roll capacity

Data storage

Memory 64 MB SDRAM
Mass Storage 1 GB Compact Flash

Interfaces and protocols

Ethernet 802.3 10/100mB
RF optional 802.11B/G
Standalone or client modes to STEM/REM
USB ports for mouse, keyboard, USB flash drive, etc

Processor

Xscale PXA-270

Remote maintenance and data communication

InTouchSM Remote Services
VNC (Virtual Network Computing)

Operating system

Windows[®] CE 5.0

Base Construction

Cast metal upper shelf with sheet metal bottom

Platter Dimension

W: 15.75" x D: 9.5" (40 cm x 24.1 cm)

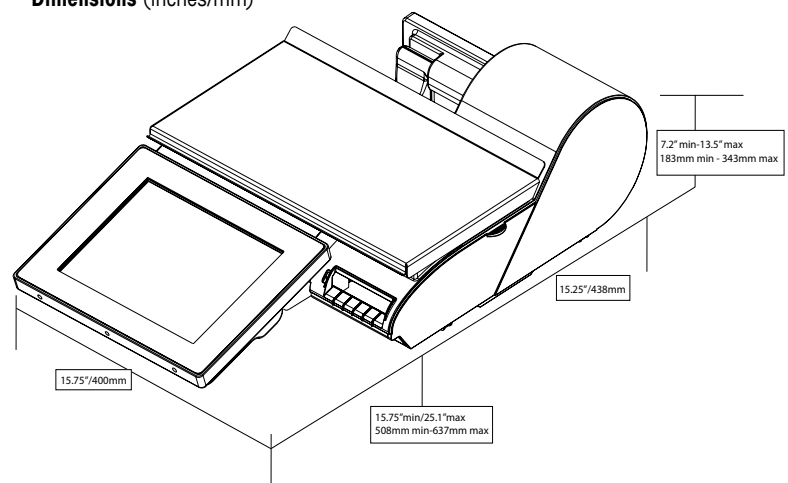
Weight of Unit

23.5 lb (10.7 kg)

Shipping Weight

30.0 lb (13.7 kg)

Dimensions (inches/mm)



ISO 9001 quality management certification
ISO 14001 environmental management certification

www.mt.com/retail

For more information

Subject to technical changes.
© 04/2015 Mettler-Toledo, LLC
Printed in USA RT1251.3E
Global MarCom Switzerland