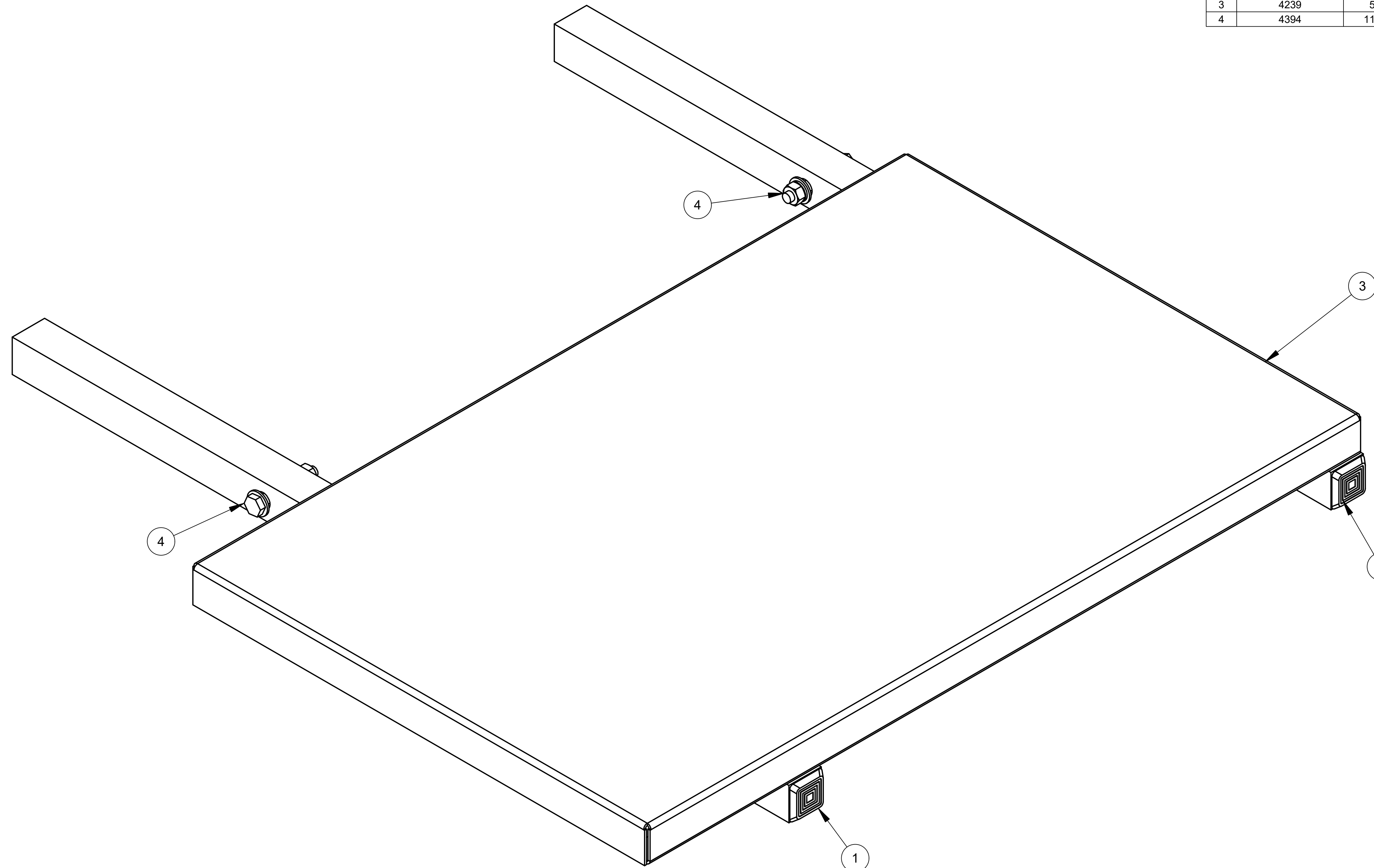


REVISION HISTORY				
REV	ECN	DATE	DONE BY	DESCRIPTION
0	3193	12/9/2015	KAB	INITIAL RELEASE
1	3269	1/28/2016	EMT	1909-001 WAS 1909-028
2	4045	3/24/2021	MG	ADDED 3380-007 AND 3320-045
3	4239	5/5/2021	MG	REPLACED 1970-005 WITH 2195-011
4	4394	11/10/2022	NS	REPLACED 1903-181, 1907-001, & 1909-002 WITH 6137-293



NOTES:
 1. INSERT 2195-011 PLUGS INTO 6137-048.
 2. PACKAGE 6137-048 & 6137-293 INTO 3320-045.

ITEM	QTY	PART NUMBER	DESCRIPTION
4	1	6137-293	KIT, WING HARDWARE
3	1	6137-048	WING ASSY, RH, 14 X 22
2	1	3320-045	CDBD BOX, WINGS
1	2	2195-011	Plug, Cap, Black 1" Sq. Tube x 18 Ga. Wall

Material Specification
HEAT SEAL/AMPAK
 CLEVELAND, OHIO 44125

<p align="center">CONFIDENTIAL</p> <p>THIS PRINT IS PROPERTY OF, AND DISCLOSES PROPRIETARY INFORMATION OF HEAT SEAL. IT IS LOANED FOR REFERENCE ONLY, AND MAY NOT BE REPRODUCED OR FORWARDED ELECTRONICALLY IN ANY MANNER, OR ITS CONTENTS DISCLOSED TO OTHERS, WITHOUT THE EXPLICIT WRITTEN PERMISSION OF OWNER AND MUST BE DESTROYED UPON REQUEST.</p>	UNLESS OTHERWISE SPECIFIED:	CREATED: 12/9/2015	<p align="center">DESCRIPTION:</p> <p align="center">WING ASSY KIT, RH, 14 X 22, ES SCALEMATE</p>	
	ALL DIMENSIONS IN INCHES	CREATED BY: beauregardk		
	STANDARD TOLERANCES:	CHECKED:	DRAWING NUMBER:	REVISION:
	0.00: ± .010 0.000: ± .005 ANGLE: ± 1'	CHECKED BY:	6137-098	4
		SIZE: D	SCALE: NONE	SHEET: 1 OF: 1