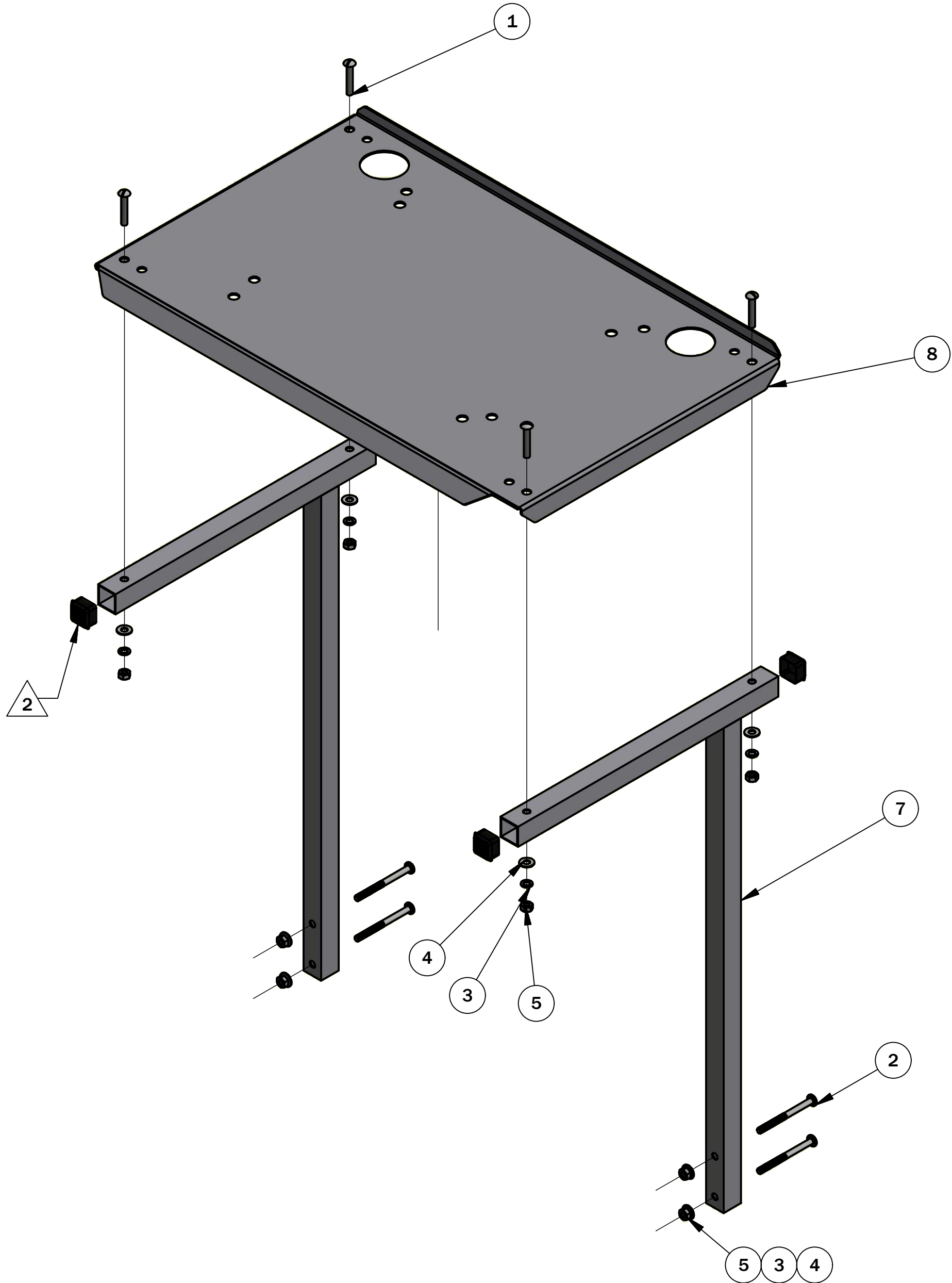


REVISION HISTORY				
REV	ECN	BY	DATE	DESCRIPTION
1	3116	EMT	7/20/2015	REPLACED SHELF WITH 6430-189; ADDED 1903-802
2	4239	MG	5/4/2021	REPLACED 1970-005 WITH 2195-011



ITEM	QTY	PART NO.	DESCRIPTION
8	1	6430-189	SHELF, ALL PURPOSE, 15 DEPTH, 24 WIDE
7	2	6430-175	SUPPORT WELDMENT, AP SHELF, 15"
6	4	2195-011	Plug, Cap, Black 1" Sq. Tube x 18 Ga. Wall
5	8	1911-010	NUT, HEX, 1/4-20 SS
4	8	1909-002	WASHER, FLAT, SS, 5/8 OD X 1/4 ID X .065 THK
3	8	1907-001	LOCKWASHER, SPLIT, 1/4 MED, SS
2	4	1903-802	SCR, MACH, RD HD, PHIL, SS, 1/4-20 X 3" LG
1	4	1903-024	SCR, MACH, RD HD, PHIL, SS, 1/4-20 X 1 1/2"

PARTS LIST

ALL DIMENSIONS IN INCHES EXCEPT WHERE NOTED  STANDARD TOLERANCES EXCEPT WHERE NOTED (ALL PLUS/MINUS)  2 PLC. DECIMAL: .010 3 PLC. DECIMAL: .005 FRACTION: 1/32 ANGLE: 1'	DWG BY: <b>beauregardk</b> DATE: <b>3/3/2015</b>		<b>HEAT SEAL/AMPAK</b> CLEVELAND, OHIO 44125		
	CHK'D BY: DATE:				
	USED ON: <b>SCALEMATE</b>		DESCRIPTION: <b>15" SHELF ASSY., ALL PURPOSE</b>		
	SHEET SIZE: <b>C</b>	SHEET: <b>1</b> OF: <b>1</b>	DRAWING NO. <b>6430-172</b>	REVISION: <b>2</b>	
PART FILE NAME: C:\_Vault Working Folder\Heat Seal Vault\Designs\Supermarket Designs\ES SCALEMATE\WINGS\6430-172.iam					