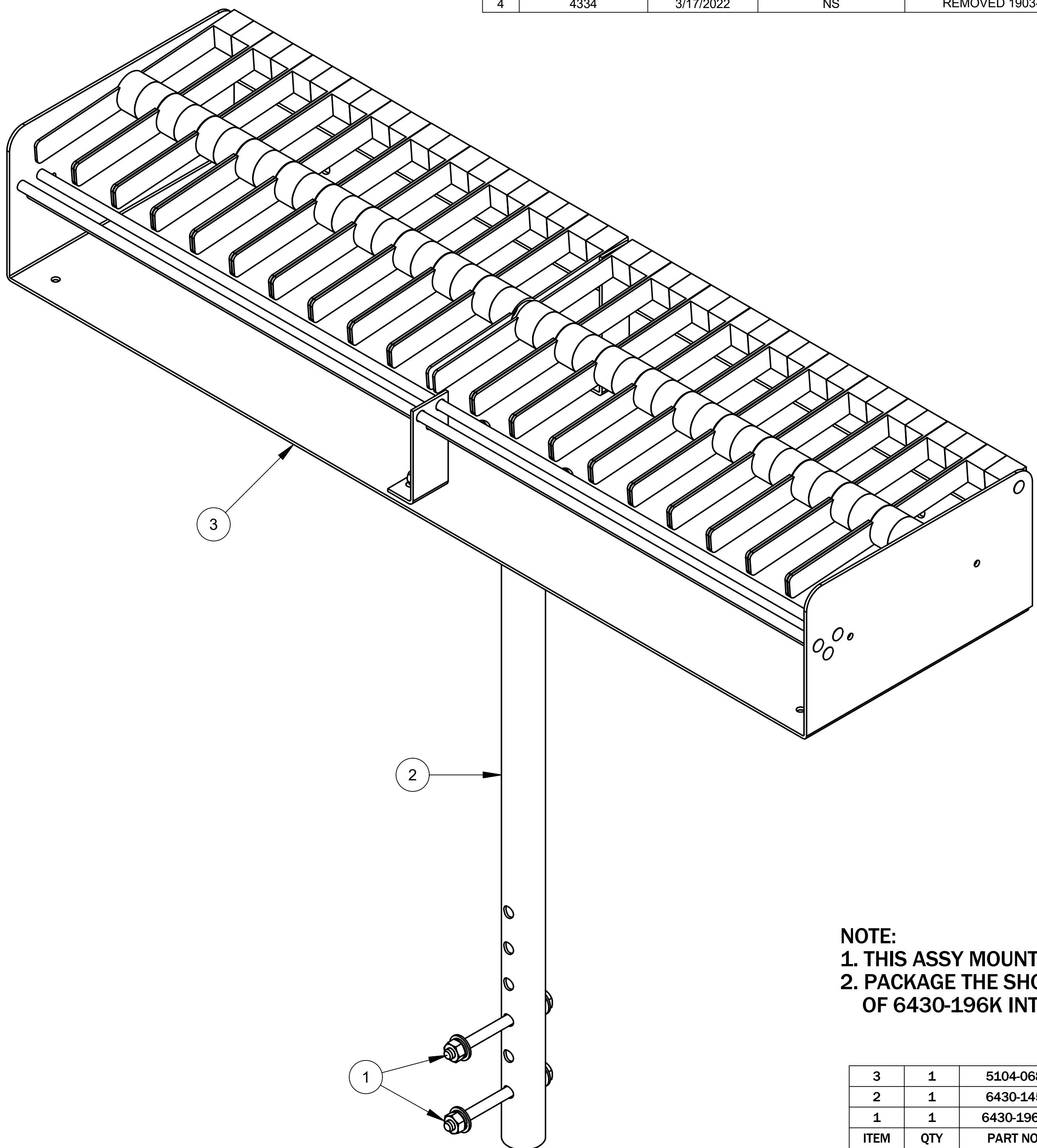


REVISION HISTORY				
REV	ECN	DATE	DONE BY	DESCRIPTION
1	3333	3/25/2016	JWM	ADDED 1903-045 (QTY. 2), 1911-010 (QTY. 2), 1907-001 (QTY. 2), 1909-002 (QTY. 4).
2	3629	5/12/2017	NS	SEE ECN. REPLACED LABEL DISPESER 5104-005 WITH 5104-068
3	4319	1/25/2022	NS	REMOVED 1927-031 AND REPLACED 1903-045 WITH 1903-799
4	4334	3/17/2022	NS	REMOVED 1903-799, 1907-001, 1909-002, & 1911-010. ADDED 6430-196K



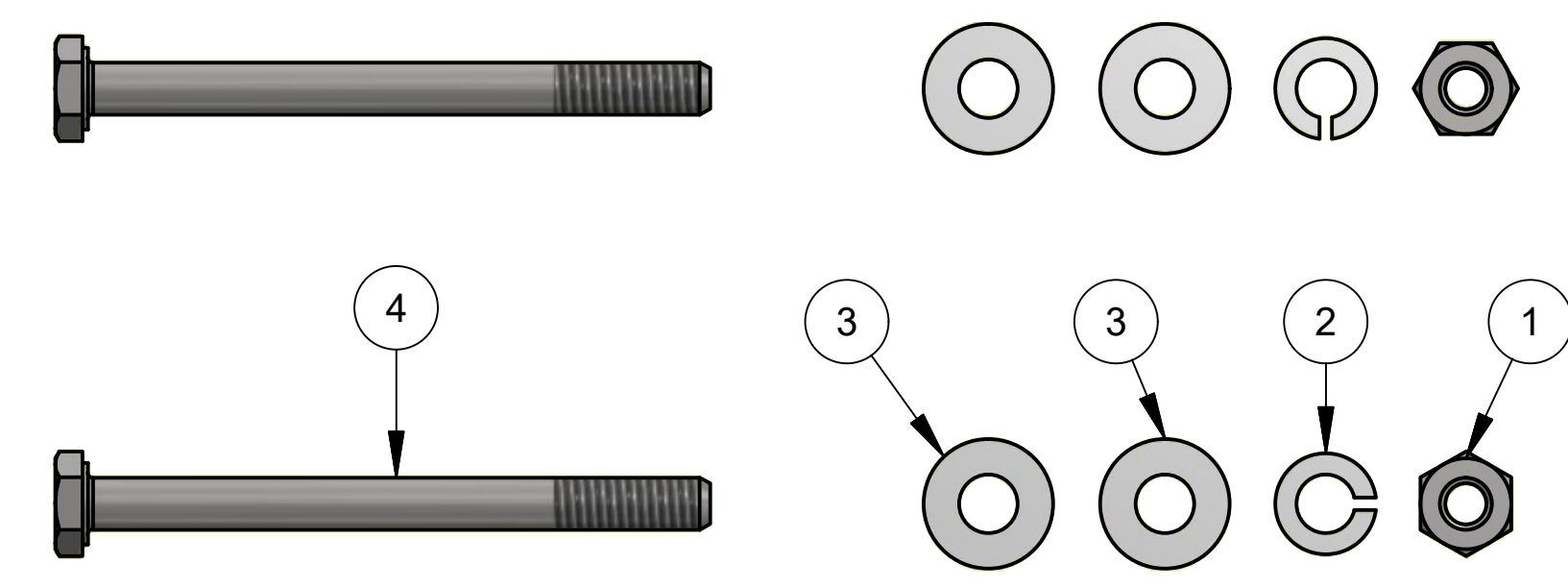
NOTE:
1. THIS ASSY MOUNTS TO THE LEFT REAR OF UNIT.
2. PACKAGE THE SHOWN MOUNTING COMPONENTS OF 6430-196K INTO PARTS BAG.

ITEM	QTY	PART NO.	DESCRIPTION
3	1	5104-068	LABEL DISPENSER, 20 ROLL CAPACITY
2	1	6430-145	TUBE, ADJUSTMENT - STAND
1	1	6430-196K	KIT, MOUNTING HARDWARE, ALUM. DISPENSER

PARTS LIST

HEAT SEAL/AMPAK CLEVELAND, OHIO 44125	
UNLESS OTHERWISE SPECIFIED: ALL DIMENSIONS IN INCHES STANDARD TOLERANCES: 0.00: ± .010 0.000: ± .005 ANGLE: ± 1'	CREATED: 7/30/2009 CREATED BY: machnikt CHECKED BY:
DESCRIPTION: STAND ASSY., W/LABEL DISPENSER, FOR USE WITH POLES	
DRAWING NUMBER: 6430-196	REVISION: 4
SIZE: D	SCALE: NONE
SHEET: 1 OF: 1	

6430-196K HARDWARE KIT



Material Specification

ITEM	QTY	PART NUMBER	DESCRIPTION
4	2	1903-799	SCR, CAP, HEX HD, SS, 1/4-20 X 3 LG
3	4	1909-002	WASHER, FLAT, SS, 5/8 OD X 1/4 ID X .065 THK
2	2	1907-001	LOCKWASHER, SPLIT, 1/4 MED, SS
1	2	1911-010	NUT, HEX, 1/4-20 SS

CONFIDENTIAL
 THIS PRINT IS PROPERTY OF, AND DISCLOSES PROPRIETARY INFORMATION OF HEAT SEAL. IT IS LOANED FOR REFERENCE ONLY, AND MAY NOT BE REPRODUCED OR FORWARDED ELECTRONICALLY IN ANY MANNER, OR ITS CONTENTS DISCLOSED TO OTHERS, WITHOUT THE EXPLICIT WRITTEN PERMISSION OF OWNER AND MUST BE DESTROYED UPON REQUEST.