

Hollymatic **Stainless Steel Hydraulic Stuffers**



Hollymatic 28

Hollymatic 55

Hollymatic 88



Hollymatic[®]

FOOD PROCESSING EQUIPMENT SINCE 1937

HYDRAULIC STUFFERS

The design, finish and the quality of materials give an exceptional reliability and long life.

This machine is available in three capacities - 28, 55, and 88 pounds. The footprint of the machine is one of the smallest available, which makes it ideal for the majority of meat markets and processing plants.

These stuffers are provided with features that set it apart from others and ensure its success in the market place.

Hydraulic power unit. This is a self-contained stainless steel oil tank with the advantage that the oil does not get contaminated and regular oil changes are not essential. The pump is also safeguarded; its working life extended and noise levels are reduced. Machines are delivered filled with oil and can be put into operation immediately.

Stainless steel head cover has twin-locking handles and is completely removable for ease of cleaning. An o-ring seal is also fitted to reduce any risk of leakage. The piston is fully stainless steel, is detachable, and connects to a stainless steel ram.

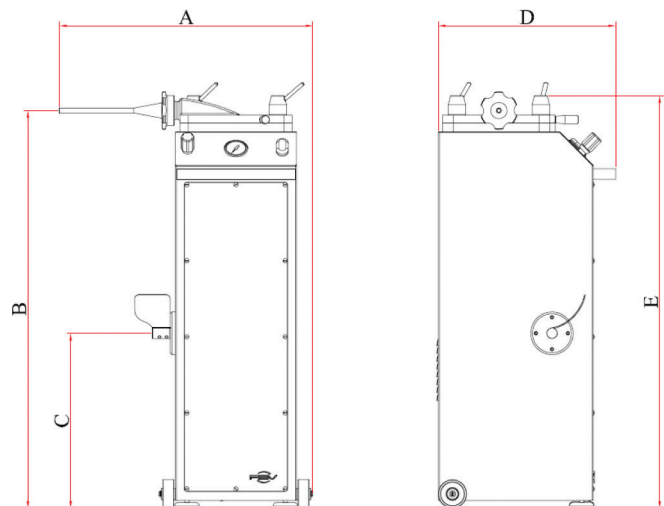
Portion Control Option: Capable of portioning from 0.7 to 17.6 ounces.



Portion Control (option)

DIMENSIONS

	Hollymatic 28	Hollymatic 55	Hollymatic 88
A	23.8"	26.0"	28.7"
B	38.4"	43.4"	47.6"
C	19.6"	19.6"	19.6"
D	16.9"	19.7"	23.2"
E	39.9"	45.2"	50.0"



Model	Capacity	Dimensions (in.)	Weight (lbs.)	Voltage	Oil Tank Capacity	Power	Standard Equipment
28	28.6 lbs.	16.9 x 23.8 x 39.9	192	220/60/3 220/60/1	1.6 gal.	.75 HP	3 stainless steel horns 14 mm, 20 mm, 32 mm
55	55 lbs	19.7 x 26.0 x 45.2	303	220/60/3 220/60/1	2.4 gal.	1 HP	3 stainless steel horns 14 mm, 20 mm, 32 mm
88	88 lbs.	23.2 x 28.7 x 50.0	550	220/60/3 220/60/1	4.0 gal.	1.5 HP	3 stainless steel horns 14 mm, 20 mm, 32 mm