

Project _____

Item Number _____

Quantity _____

SL160/SL200/SL280



SL160 / SL200 / SL280 SILVERLINE Spiral Mixers

Models:

- SL160: 210 quart (230 Liter) Spiral Mixer
- SL200: 265 quart (290 Liter) Spiral Mixer
- SL280: 370 quart (400 Liter) Spiral Mixer

Features:

- Stainless steel bowl, spiral dough hook, and shaft
- Separate bowl and agitator motors
- Has two speeds and reverse function
- Control board has separate timers for 1st and 2nd speed
- Mixer is equipped with built in castors and leveling feet for easy positioning and set-up
- Safety switches protect operator from injury if bowl lid is open
- Powerful belt drive provides low vibration, low noise, and economical maintenance for years of reliable service



Spiral Mixer

Dough Capacity:

SL160: 353lb (160kg)
SL200: 441lb (200kg)
SL280: 617lb (280kg)

Dough hook:

1st speed: 95 rpm
2nd speed: 190 rpm

Bowl:

20 rpm

Univex Corporation

Standard Accessories:

- Stainless steel bowl
- Stainless steel dough hook

Warranty:

- One year, on-site parts and labor



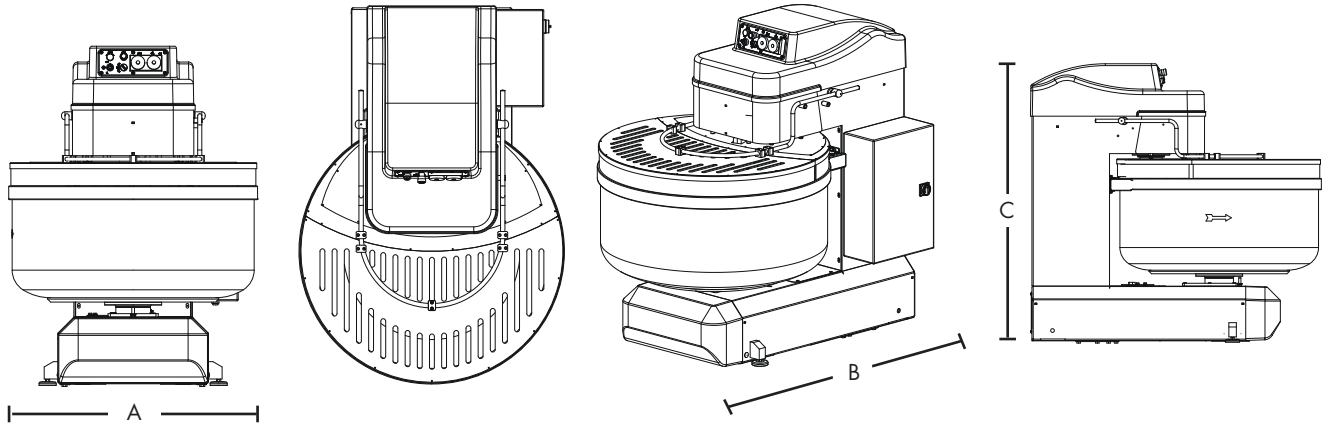
WE RAISE THE BAR. WE SET THE STANDARD.

SILVERLINE Spiral Mixer

SL160 / SL200 / SL280

Line drawing is the SL280

	SL160	SL200	SL280
A	36 3/4" (93.2cm)	38" (96.3cm)	43" (109.1cm)
B	59" (149.86cm)	62" (157.48 cm)	63" (160.02 cm)
C	59 1/8" (150.1cm)	59 1/8" (150.1cm)	59 1/8" (150.1cm)



Electrical Information								
Model	Voltage	Phase	Spiral hp(kW)	Bowl hp(kW)	Total hp(kW)	Spiral Amps	Bowl Amps	Total Amps
SL160	220	3	15 (11)	1 (.75)	16 (11.75)	52.5	3.6	56.98
SL160 Optional Voltage	400	3	15 (11)	1 (.75)	16 (11.75)	26.25	1.8	28
SL200	220	3	15 (11)	1 (.75)	16 (11.75)	52.5	3.6	56.98
SL200 Optional Voltage	400	3	15 (11)	1 (.75)	16 (11.75)	26.25	1.8	28
SL280	220	3	15 (11)	1 (.75)	16 (11.75)	52.5	3.6	56.98
SL280 Optional Voltage	400	3	15 (11)	1 (.75)	16 (11.75)	26.25	1.8	28

Plug Info:
Hard Wire With Shutoff

Transmission: Heavy duty low noise and low vibration belt drive.

Bowl Guard: Swings open for full access to bowl. Guard must be closed for mixer operation.

Controls: Control panel with digital timers. Separate timers for high and low speed. Security key for manual use.
Bowl reverse direction switch.

True 3 phase power is required, Delta or other semi 3 phase power set up 's will not work

Shipping Information			
Model	Net Weight	Shipping Weight	Overall Dimensions
SL160	1,521 lbs. (690Kg)	1,631 lbs. (740Kg)	69" (176cm) H x 41" (105cm) W x 63" (160cm) D
SL200	1,653 lbs. (750Kg)	1,764 lbs. (800Kg)	69" (176cm) H x 51" (130cm) W x 79" (200cm) D
SL280	1,830 lbs. (830Kg)	1,940 lbs. (880Kg)	69" (176cm) H x 55" (140cm) W x 87" (220cm) D

*The weight and dimensions of the pallet are included in the weight and dimensions above.



Univex Corporation
www.Univexcorp.com

3 Old Rockingham Rd
Salem, NH 03079
United States of America

INTL TEL: (800)258-6358
TEL: (603)893-6191
INTL FAX: (800)356-5614
FAX: (603)893-1249