

Project \_\_\_\_\_

Item Number \_\_\_\_\_

Quantity \_\_\_\_\_

SL120LH/SL120LB



## SL120LH / SL120LB SILVERLINE Spiral Mixers with Attached Lifter

### Models:

- SL120LH: 265lbs (120Kg) Spiral Mixer
- SL120LB: 265lbs (120Kg) Spiral Mixer



Spiral Mixer  
with Attached Lifter

### Features:

- Stainless steel bowl, spiral dough hook, and shaft
- Separate bowl and agitator motors
- Has two speeds and reverse function
- Control board has separate timers for 1st and 2nd speed
- Mixer is equipped with built in lifter for lifting and discharge of mixed products
- Lifter can tilt machine to the right or left (must specify when ordering)
- Difference between H and B models is the height of the lifter (one for bench top and one for hoppers)
- Safety switches protect operator from injury if bowl lid is open
- Powerful belt drive provides low vibration, low noise, and economical maintenance for years of reliable service

### Dough hook:

- 1st speed:** 95rpm
- 2nd speed:** 190rpm
- Bowl Speed:** 15rpm

### Warranty:

- One year, on-site parts and labor

Univex Corporation

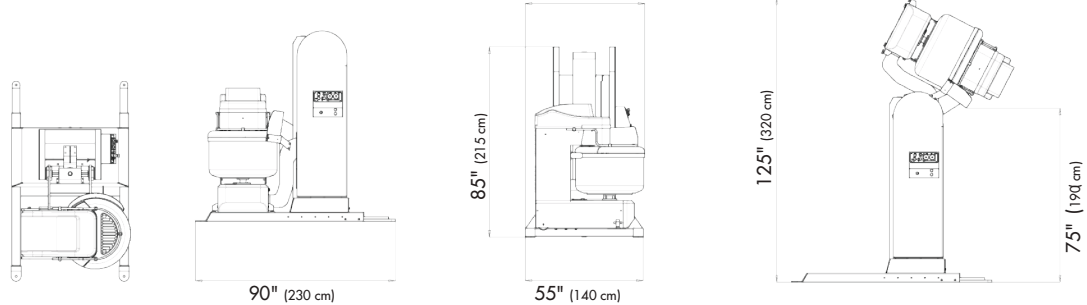


WE RAISE THE BAR. WE SET THE STANDARD.

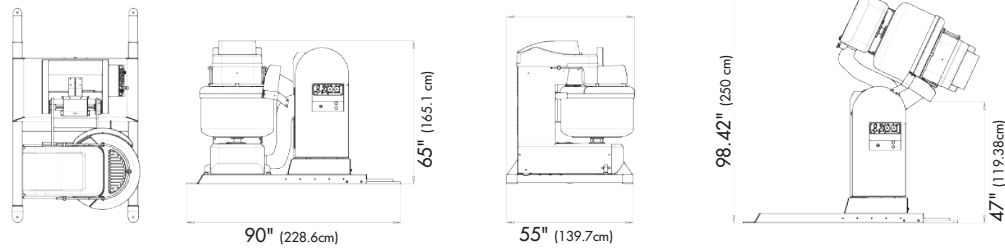
**SILVERLINE Spiral Mixer with Attached Lifter**

**SL120LH / SL120LB**

SL120LH



SL120LB



**Transmission:** Heavy duty low noise, low vibration belt drive.

**Bowl Guard:** Swings open for full access to bowl. Guard must be closed for mixer operation.

**Plug Info:** Hard wire with shutoff

**Controls:** Control panel with manual timers. Separate timers for high and low speed. Security key for manual use. Bowl reverse direction switch. Up and down buttons.

**Electrical Information (60Hz)**

Model	Standard Voltage	Phase	Spiral hp(kW)	Bowl hp(kW)	Lifter hp(kW)	Total hp(kW)	Spiral Amps	Bowl Amps	Lifter Amps	Total Amps
SL120LH	220	3	8 (6)	1 (.75)	3 (2.2)	12 (8.95)	27.20	4.48	13.00	31.68
SL120LH Optional	380	3	8 (6)	1 (.75)	3 (2.2)	12 (8.95)	13.5	2.24	6.5	15.9
SL120LB	220	3	8 (6)	1 (.75)	3 (2.2)	12 (8.95)	27.20	4.48	13.00	31.68
SL120LB Optional	380	3	8 (6)	1 (.75)	3 (2.2)	12 (8.95)	13.5	2.24	6.5	15.9

**Shipping Information**

Model	Net Weight	Shipping Weight	Overall Dimensions
SL120LH	3,527 lbs. (1,600Kg)	3,877 lbs. (1,759Kg)	91" (231.1cm) H x 96" (243.8cm) W x 60" (152.4cm) D
SL120LB	2,866 lbs. (1,300Kg)	3,216 lbs. (1,459Kg)	67" (170cm) H x 96" (243.8cm) W x 60" (152.4cm) D



**Univex Corporation**  
www.Univexcorp.com

3 Old Rockingham Rd  
Salem, NH 03079  
United States of America

TEL: (800)258-6358  
INTL TEL: (603)893-6191  
FAX: (800)356-5614  
INTL FAX: (603)893-1249