

Project _____

Item Number _____

Quantity _____

G-Peeler



**G-Peeler Portable 20 pounds
Vegetable Peeler**
MADE IN THE USA

Model:

➤ G-Peeler: 20 lb (9kg) Vegetable Peeler



20 lbs. Portable
Vegetable Peeler

Features:

- Truly portable
- Great for root vegetables such as potatoes, carrots, and parsnips. Some customers even use it to clean shellfish and to scale small fish
- No plumbing problems. Connects to a standard faucet and operates on a drain board, Univex 150 stand, counter, or table
- Stainless steel construction ensures long life and makes cleaning easy
- Precision timer automatically shuts off as desired, prevents over peeling
- Extended discharge tube minimizes splashing
- Corrosion resistant cover

Standard Accessories:

- Durable peeling disc
- Flexible water inlet hose
- Corrosion Cover

Optional Accessories:

- Extra peeling disc

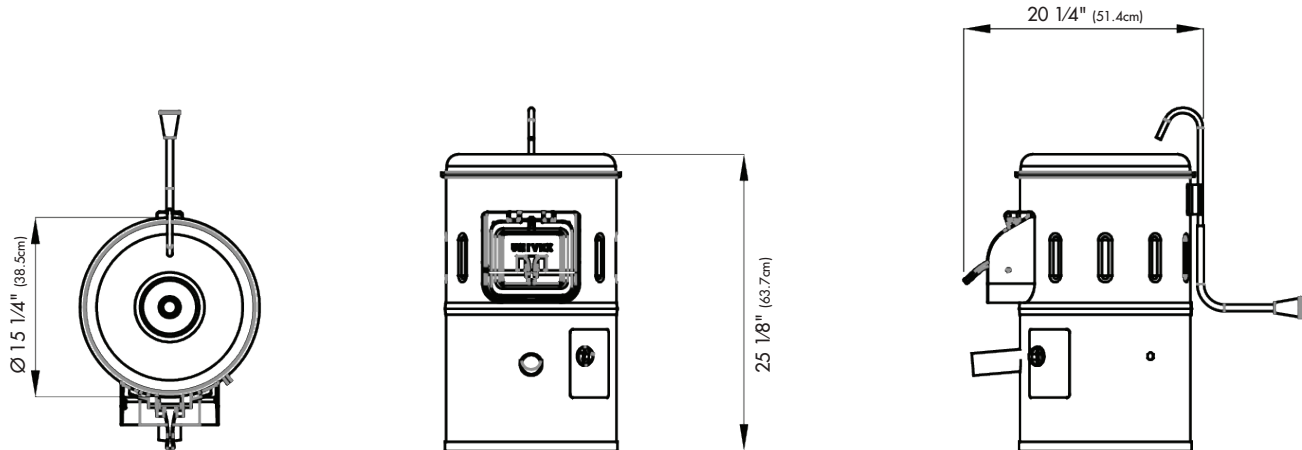
Warranty:

- One year, on-site parts and labor

Univex Corporation

20 lb Vegetable Peeler

G-Peeler



Capacity: Up to 20 lb (9kg) of potatoes per batch. Maximum capacity can vary based on size and shape of potatoes

Controls: Timer switch with 5 minute maximum

Housing: Stainless steel

Cover: Corrosion resistant cover

Discharge: Extended discharge tube minimizes splashing Discharge

Door: Easy to lock into place and sealed against leakage Water

Connection: Flexible water inlet hose connects to sink tap

NEMA #: 5-15-P

Electrical Information (60Hz)					
	Voltage	Phase	hp(kW)	RPM	Amps
Standard Voltage	115	1	1/3 (0.45)	1,725	6.0-6.2
Optional Voltage	220	1	1/3 (0.45)	1,725	3.0-3.1

Shipping Information

Net Weight	Shipping Weight	Overall Dimensions
76 lbs. (34.5Kg)	88 lbs. (40Kg)	31" (78.8cm) H x 22" (55.9cm) W x 24" (61cm) D