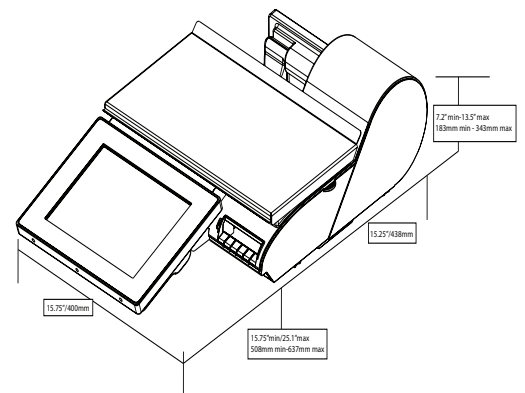


Impact M Printer-Weight Indicator Specifications

Specifications for Impact M Printer-Weight Indicator model.

Description	Specifications
Weight of Unit	31.0 lb (14.0 kg)
Shipping Weight	38.5 lb (17.0 kg)
Base Construction	Cast metal upper shell with sheet metal bottom
Operator Display and Keyboard	10.4" color VGA, 4 wire resistive Touchscreen
Printer	1.6" to 3" width (72 mm paper, 80mm path), up to 5"/sec, thermal - 6" roll capacity
Power	100-240 VAC, 50/60 Hz, 1.1A
Operating Temperature	0° C to 40° C, humidity 5% to 95% non condensing
Storage Temperature	-20° C to 70° C with humidity from 5% to 95% non condensing
Network Interface	Ethernet 802.3 10/100mB RF optional 802.11B/G
Database Operation	Standalone or Client to STEM/REM
Processor	Xscale PXA-270
Memory	64 MB SDRAM
Mass Storage	1 GB Compact Flash
External COMM port	Remote Scale Base
USB ports	For mouse, keyboard, USB flash drive, etc.



METTLER TOLEDO